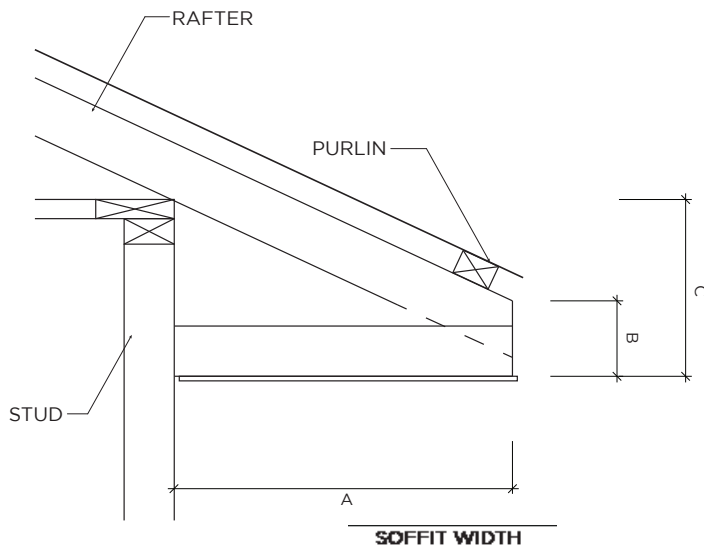


5.2.4 185 Metal Fascia: Set out guide (for metal longrun roofing)

HIP & GABLE ROOF - EAVES DETAIL



ROOF PITCH	SOFFIT WIDTH 'A' 300MM	SOFFIT WIDTH 'A' 450MM	SOFFIT WIDTH 'A' 600MM	SOFFIT WIDTH 'A' 750MM	SOFFIT WIDTH 'A' 900MM	FASCIA DROP DIMENSION 'B'
SOFFIT DROP HEIGHTS 'C'						
10°	92	118	144	171	197	130
15°	117	157	198	238	278	130
20°	148	203	258	312	367	135
25°	181	251	320	390	460	140
30°	209	296	382	469	556	140

NOTES

- > Fascia brackets must be fitted to all rafters.
- > Leave off the bottom purlin until fascia is fitted, to avoid bird proofing problems. It should just clear the edge of the fascia.
- > Where loose fill insulation is used, the soffit must be blocked off at the top plate to prevent the insulation coming into contact with the metal fascia.

All details are typical set out details only. Dimensions and measurements should be checked prior to commencement of work. This set out guide should be used in conjunction with the NZMRM Code of Practice and all relevant building codes.

