



QUATTRO TCS CLADDING

Steelformers TCS Cladding is the latest cladding product by Steelform Roofing Group. The 26mm u-panel cladding system is available with standard pan widths of 250mm, 330mm and 470mm, but can be customisable, allowing the user to alter the widths to suit their design requirements. The cap provides added boldness while concealing the fixing system, creating a clean and modern exterior.

SCOPE OF USE

Suitable for residential, light commercial and commercial vertical wall cladding applications.

AVAILABLE IN A RANGE OF MATERIALS

Available in 0.55mm (G300) BMT Colorsteel Endura® and Maxx®, Colorsteel Altimate®, 0.75mm BMT Copper, 0.90mm BMT Mill Finish Aluminium and ColorCote® Alumigard™ (available on request, conditions apply).

SHEET LENGTHS

Sheet lengths are custom run to order. Sheet length restrictions may apply depending on project location.

PANS AND SWAGES

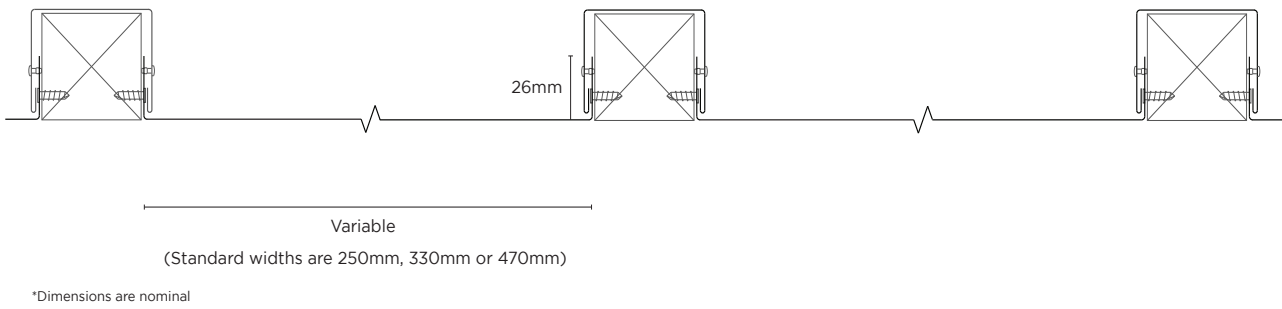
The standard pan widths (from rib to rib) 250mm, 330mm and 470mm. The pans are variable on request.

It is mandatory practice that the pans are run with swages. The swages are discreet and provide for extra rigidity and strength, as well as assisting in the reduction of oil canning. If the customer wants the pans run without swages, it will be at the discretion of Steelformers (on a case by case basis).

TECHNICAL SUPPORT

Contact a Steelformers representative at your local branch for detailed technical advice. A full range of flashing details are available for download on our website.

SPECIFICATIONS



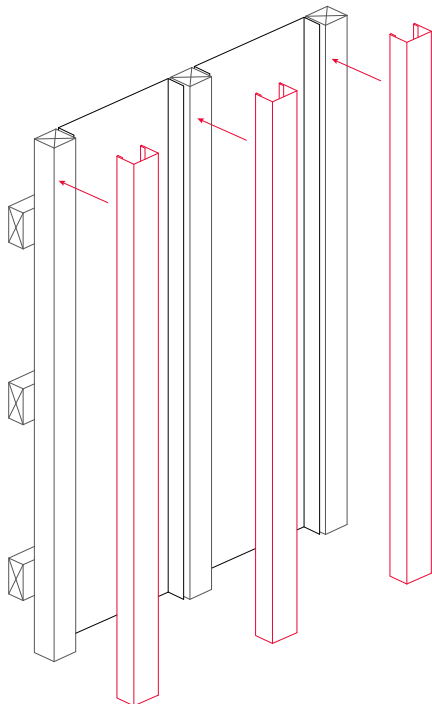
WALL CLADDING

Quattro TCS Cladding is installed over a drained cavity system (make reference to E2 and the New Zealand Building Code for cavity requirements). The recommended fixing process is as follows:

- 45x45mm H3.1 dressed timber battens are fixed (vertically) along the horizontal cavity in accordance with the New Zealand Building Code. Spacings of the battens are determined by the claddings pan width
- Each TCS Cladding panel is screwed fixed (using a stainless steel countersunk screw at 400mm centres) through each 26mm upstand into the timber batten
- The custom made cap flashing is then fitted over the top of the batten and pop riveted (at 400mm centres) to the sheet upstands
- For additional securing of the upstand, Steelformers recommends using a bead of silicone along each cavity batten

TIP: Steelformers recommends nog spacing at 600mm centres in all wind zones, plus having a row of fixings along the line of the top and bottom of the cladding panel. Depending on the eaves construction, a row of nogs may be required at the eaves soffit line to fix into.

Diagram, fixing example:



BRANCHES

Taranaki Steelformers Ltd
Mountain Road, Stratford 4332
P. 0800 655 142 or 06 765 5191
F. 06 765 8185
E. stratford@steelformers.co.nz

Wanganui Steelformers
380 Heads Road, Wanganui 4501
P. 0800 800 077 or 06 344 5142
F. 06 344 6766
E. chris@steelformers.co.nz
sara@steelformers.co.nz

Taranaki Steelformers Ltd
23 Katere Road, Waiwakaiho, New Plymouth 4312
P. 0800 476 634 or 06 758 3831
F. 06 758 5784
E. npoffice@steelformers.co.nz

King Country Longrun
Huia Street, Taumarunui 3920
P. 07 895 6464
F. 07 895 6858
E. blair@steelformers.co.nz

For more information on Steelform Roofing Group and their range of products head to www.steelformers.co.nz. For detailed technical advice, contact your nearest Steelformers branch or visit Steelformers product section at masterspec.co.nz.



DISCLAIMER

Because of Steelform Roofing Groups' policy of continuous product improvement the company reserves the right, at any time and without notice to discontinue or modify designs, features and other specifications of their product. Steelform Roofing Group disclaim any liability for loss or damage suffered from the use of such material as all information is correct to the best of our knowledge at the time of publishing. This document is issued as a guide only and should not be substituted for detailed technical advice.

V2 | January 2024

