



CEILING BATTEN SYSTEM

The Steelformers Ceiling Batten System is easy to install and is manufactured using 0.55mm BMT G550 high tensile GALVSTEEL® from New Zealand Steel. The ceiling battens are cut to your required lengths (up to 10m), saving on product wastage and labour to install. Being light weight makes for easy installation and having the dimpled surface assists in preventing screw movement. The Steelformers Ceiling Batten System is your efficient choice.

SCOPE OF USE

The Steelformers Ceiling Batten System is suitable for residential and commercial applications.

The system can be used for directly supporting single layered plasterboard ceiling linings in buildings within the scope of NZS 3604 or NASH Standard Part 2 - Light Steel Framed Buildings (ensure linings are installed as per the manufacturers guidelines).

The Steelformers Ceiling Batten System is not suitable for use in structural applications such as part of a ceiling diaphragm, or as a part of a fire resistance rated construction.

COMPLIANCE

The Steelformers Ceiling Batten System is a tried and tested system, used frequently for new builds around the Taranaki region. The ceiling batten, c-channel and clips are manufactured from steel sourced from New Zealand Steel and complies with AS 1397:2011.

QUALITY ASSURANCE

The Steelform Ceiling Batten System is manufactured in a controlled factory environment, ensuring consistent product quality.

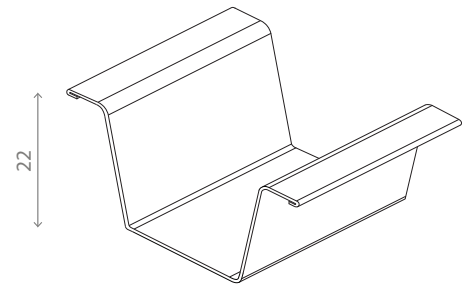
TECHNICAL SUPPORT

Contact a Steelformers representative at your local branch for detailed technical advice. Contact details can be found on the back page of this brochure.

COMPONENTS

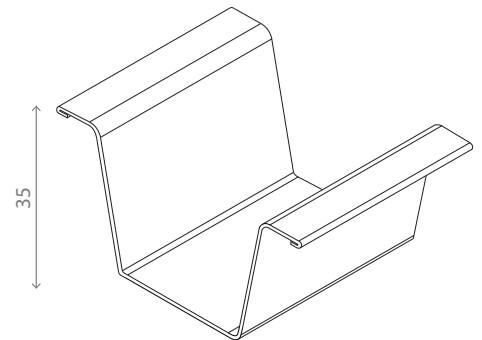
22mm CEILING BATTEN

The 22mm Ceiling Batten is a shallow trapezoidal steel section with the same double folded flanges dimpled surface as the 35mm Ceiling Batten. The 22mm Ceiling Battens are cut to your required lengths and can be direct fixed.



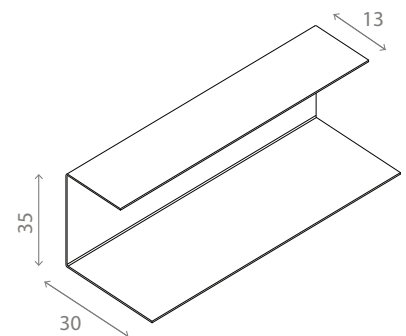
35mm CEILING BATTEN

The Ceiling Batten is a trapezoidal steel section with double folded flanges and a dimpled surface which assists in preventing screw movement. Ceiling Battens are cut to order (max. 10m), simply provide us with the quantities of each length and the install location within the building. The Ceiling Battens will be supplied to your exact lengths and pre-labelled for easy, on-site identification. They can also be direct fixed and are compatible with our C-Channel.



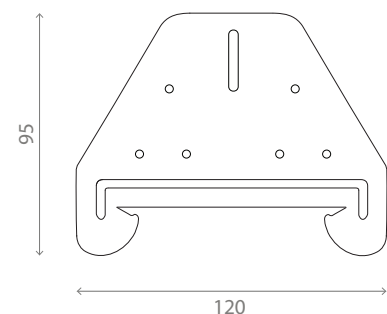
C-CHANNEL

The C-Channel is formed from the same 0.55mm BMT GALVSTEEL® as the Ceiling Batten and is supplied in 6 metre lengths. Steelformers recommend screw fixing the C-Channel to supporting framing at the perimeter of the room at 1200mm maximum centres.



BATTEN FIXING CLIPS

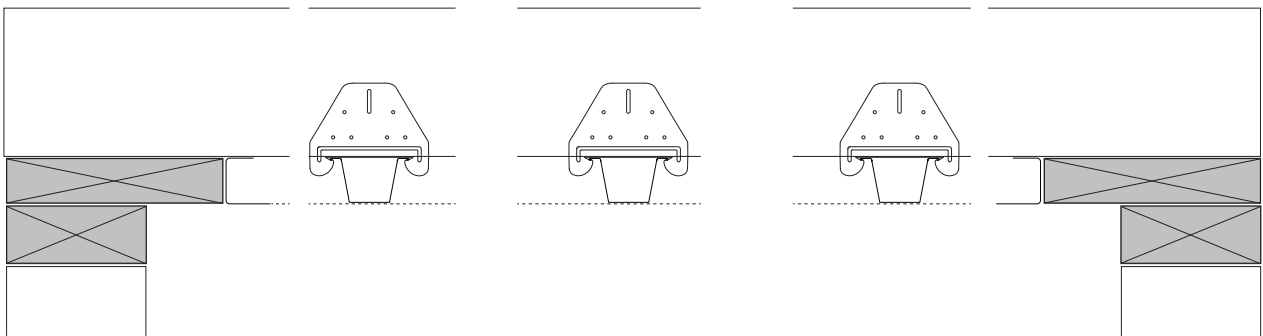
The Clips are pressed metal tabs, sourced locally in New Plymouth, and are manufactured from 0.95mm BMT galvanised sheet steel. Clips are fixed to the sides of timber ceiling joists, truss chords or floor joists. The central fixing slot provides 25mm of vertical alignment to achieve a level ceiling line.



INSTALLATION

Installation of the Steelformers Ceiling Batten System must be completed by, or under the supervision of a Licensed Building Practitioner with the relevant license class. The Steelformers Ceiling Batten System is suitable to support single layered plasterboard ceiling linings up to a maximum weight of 25 kg/m² - e.g. 13mm plasterboard is nominally 12 kg/m². Ensure the linings are installed as per the lining manufacturers recommendations.

The Steelformers Ceiling Batten System can support the weight of small, lightweight items with a maximum mass of 7.5 kg, fixed to the ceiling lining with not more than 1 item per 1 m². Heavy items such as range hoods, garage door openers, large luminaries and the like must be fixed to truss chords, ceiling joists or floor joists or blocking fixed between these elements.



STEP-BY-STEP GUIDE

1. Establish a datum line for the ceiling. Place a string line on the datum line at right angles to the battens. The best place is under the truss or joist closest to the room centre.
2. Install the C-Channel around the perimeter of the room using 10x16mm wafer head screws (for timber framing), or 12x20 steeltite screws (for steel framing). The C-Channel must be fixed to the top plate with the longer leg at the bottom so that the end of the Ceiling Batten can slot in. C-Channel should be fixed at maximum 1200mm crs.
3. Install the clips at 600mm crs using three 32x8g gold passivated, wafer head, coarse thread screws (for timber framing), or three Konnect ST12 - 14tpi x 20 mm CLS5 Steeltite self-drilling screws (for steel framing). The clips are to be fixed to the side of the truss, rafter, ceiling or floor joists.. Initially, use the central fixing slot so that the clip can be adjusted up or down to achieve a level ceiling line. Once level, secure the clip firmly by utilising the other available fixing holes for the remaining two screws.
4. Fix the Ceiling Batten into the C-Channel using Konnect ST12 - 14tpi x 20 mm CLS5 Steeltite self-drilling screws. If trimming of the Ceiling Batten is required*, be sure to use tin snips or an angle grinder. (Note: abrasive cutting could damage the galvanised coating). Recommended spans for Ceiling Batten between supporting framing is max. 1200mm and max. 900mm for a single span.

THINGS TO REMEMBER:

- **List the quantity and lengths of Ceiling Batten for each room and Steelformers will label them for easy, on-site identification*
- *The Ceiling Battens can be end joined by butt joining where the Ceiling Battens meet the supporting framing*
- *Consult an electrical contractor for any earthing requirements that may need incorporating*

BRANCHES

Taranaki Steelformers Ltd
Mountain Road, Stratford 4332
P. 0800 655 142 or 06 765 5191
F. 06 765 8185
E. stratford@steelformers.co.nz

Wanganui Steelformers
380 Heads Road, Wanganui 4501
P. 0800 800 077 or 06 344 5142
F. 06 344 6766
E. chris@steelformers.co.nz
sara@steelformers.co.nz

Taranaki Steelformers Ltd
23 Katere Road, Waiwakaiho, New Plymouth 4312
P. 0800 476 634 or 06 758 3831
F. 06 758 5784
E. npoffice@steelformers.co.nz

King Country Longrun
Huia Street, Taumarunui 3920
P. 07 895 6464
F. 07 895 6858
E. blair@steelformers.co.nz

For more information on Steelform Roofing Group and their range of products head to www.steelformers.co.nz. For detailed technical advice, contact your nearest Steelformers branch or visit Steelformers product section at masterspec.co.nz.



DISCLAIMER

Because of Steelform Roofing Groups' policy of continuous product improvement the company reserves the right, at any time and without notice to discontinue or modify designs, features and other specifications of their product. Steelform Roofing Group disclaim any liability for loss or damage suffered from the use of such material as all information is correct to the best of our knowledge at the time of publishing. This catalogue is issued as a guide only and should not be substituted for detailed technical advice.

Version 2 / September 2023

